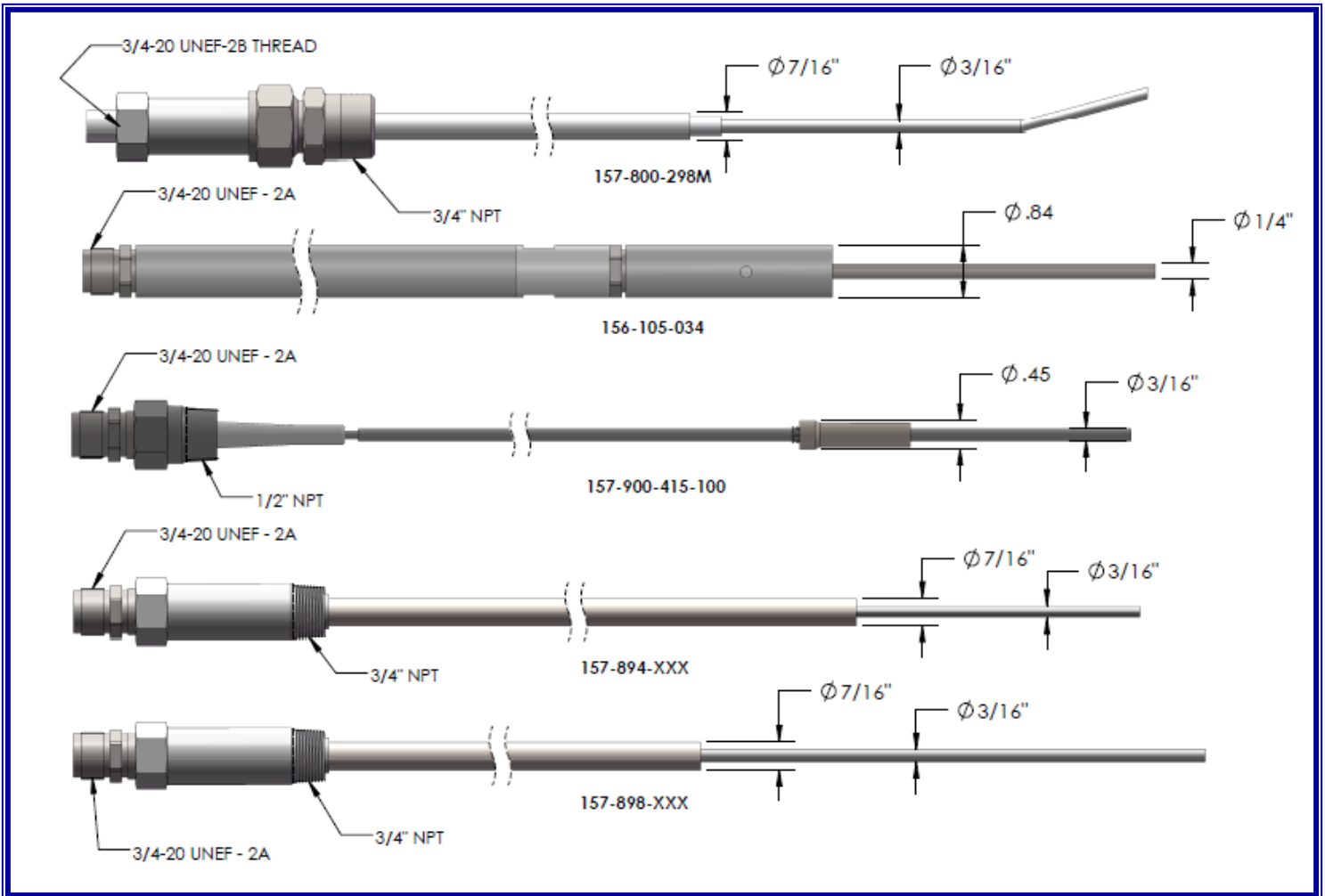


CSC Standard Flame Rod Assemblies



Flame Rod General Information

CSC's Flame Rod Assembly is manufactured to meet general requirements for flame detection in gas or oil fired applications and can be custom fit to any required boiler configuration.

Above notes a few of our standard, readily available options:

157-800-298M	Flame Rod, with 15° Angled Tip
156-105-034	Flame Rod Assembly, with Flame Tip and Coupler Stop, 5/8" OD, SS
157-900-415-XXX	Flame Rod Assembly, Less Cable, Standard Electrode Length 3.75"
157-894-XXX	Flame Rod, with 4.5" Electrode, 3/4"-20 Cold End x 1/2" NPT Hot End, .91" OD
157-898-XXX	Flame Rod, with Variable Length Electrode, 3/4"-20 Thread, 304 SS, 0.91" OD

Additional configurations or items are available, including adjustable options and flame tips sold separately. Contact our sales office for additional information.

